

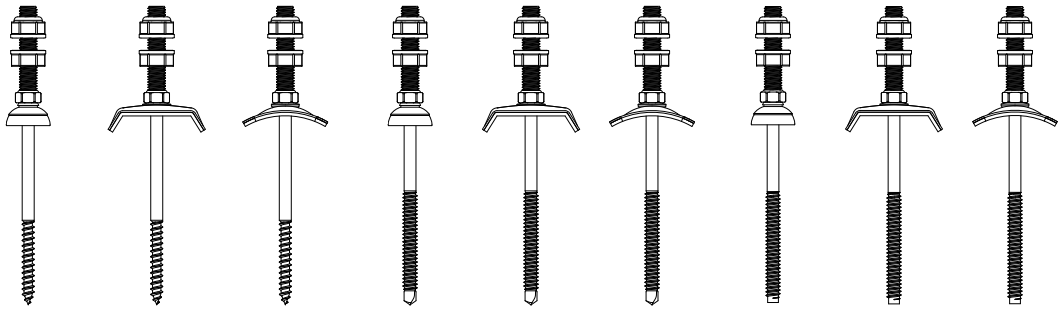
Montageanleitung

Solarbefestiger JA3-SB | JT3-SB | JZ3-SB

Assembly instruction

Solar Fastener JA3-SB | JT3-SB | JZ3-SB

Klassifikation



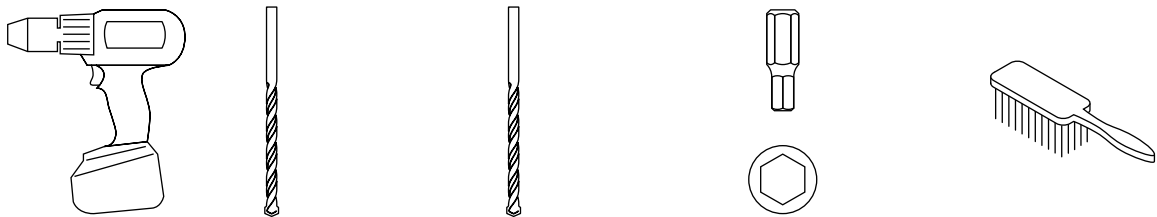
| | | | | | | | | | |
|---------------------------|-------------------------------|---|---|------------------------------|---|---|------------------------------|---|---|
| Befestiger | JA3-SB-8,0xL JA3-SB-10,0xL | JA3-SB-8,0xL JA3-SB-10,0xL | JA3-SB-8,0xL JA3-SB-10,0xL | JT3-SB-8,0xL | JT3-SB-8,0xL | JT3-SB-8,0xL | JZ3-SB-8,0xL | JZ3-SB-8,0xL | JZ3-SB-8,0xL |
| Dicht- element | Faserzement- dichtung FZD | Dichtscheibe E16 | Dichtscheibe E16 | Faserzement- dichtung FZD | Dichtscheibe E16 | Dichtscheibe E16 | Faserzement- dichtung FZD | Dichtscheibe E16 | Dichtscheibe E16 |
| ORKAN- Kalotte | - | Trapez | Welle | - | Trapez | Welle | - | Trapez | Welle |
| ETA | - | 22/0762 | 22/0762 | - | 22/0762 | 22/0762 | - | 22/0762 | 22/0762 |
| t₁ | Faserzement- Wellprofil | Stahltrapez- profil / Sand- wichelement | Stahlwell- profil / Sand- wichelement | Faserzement- Wellprofil | Stahltrapez- profil / Sand- wichelement | Stahlwell- profil / Sand- wichelement | Faserzement- Wellprofil | Stahltrapez- profil / Sand- wichelement | Stahlwell- profil / Sand- wichelement |
| d₁ [mm] | 11* | - | - | 11* | - | - | 11* | - | - |
| t_{II} | Holz | Holz | Holz | Stahl | Stahl | Stahl | Stahl | Stahl | Stahl |

*Bitte beachten Sie die Vorgaben des Faserzement-Wellprofilherstellers.

Bohrlochdurchmesser

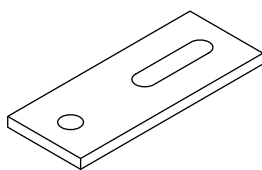
| | | | | | | | | | | | |
|----------------------------|--------------|---------------|-------------------------|-----------|-----------|----------|-------------------------|-----------|-----------|----------|------|
| Befestiger | JA3-SB-8,0xL | JA3-SB-10,0xL | JT3-SB-8,0xL | | | | JZ3-SB-8,0xL | | | | |
| t_{II} | Holz | Holz | Stahl (S235-EN 10025-1) | | | | Stahl (S235-EN 10025-1) | | | | |
| t_{II} [mm] | ≥ 32 | ≥ 32 | 1,5 < 3,0 | 3,0 < 5,0 | 5,0 < 7,5 | 7,5 < 10 | ≥ 10 | 1,5 < 5,0 | 5,0 < 7,5 | 7,5 < 10 | ≥ 10 |
| d₀ [mm] | 5,5 | 7,0 | - | 6,8 | 7,0 | 7,2 | 7,4 | 6,8 | 7,0 | 7,2 | 7,4 |

Montagewerkzeuge



| | | | | |
|----------------|-----------------------|---------------------------|----------------|------------|
| Akku-Schrauber | d ₀ 11 mm* | d ₀ 6,8–7,4 mm | Form C 6,3 SW5 | Handfeiger |
|----------------|-----------------------|---------------------------|----------------|------------|

Zubehör



SB-Flachstahl
Artikelnummer 3110001000

Hinweise



Montageanweisung
Schienenhersteller

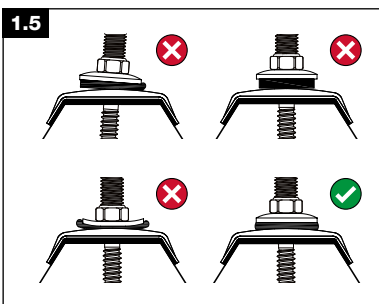
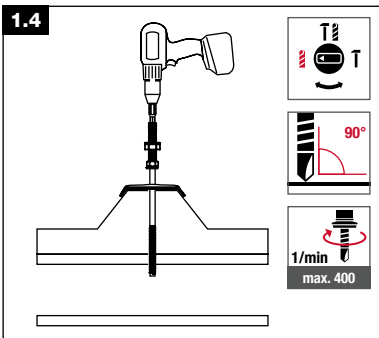
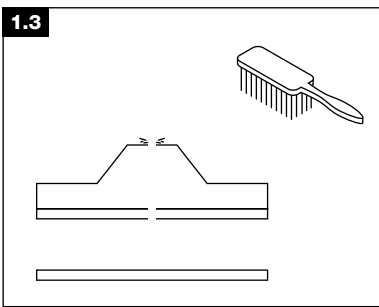
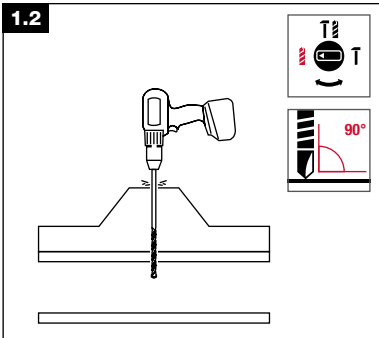
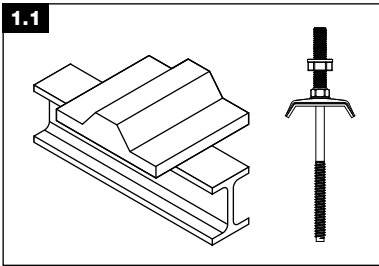


ETA-22/0762

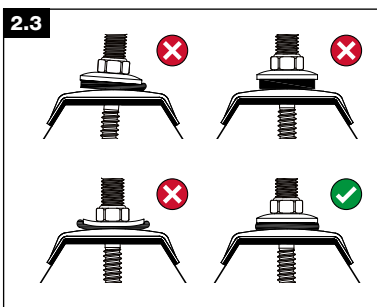
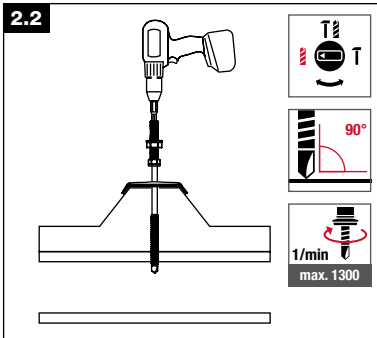
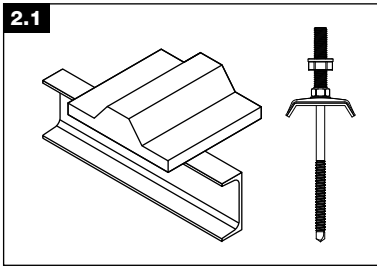


Achs- und Randabstände
(gültige Regeln der Technik)

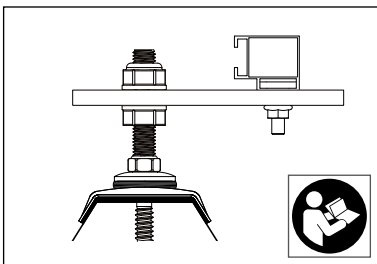
Montageablauf (Beispiel 1)



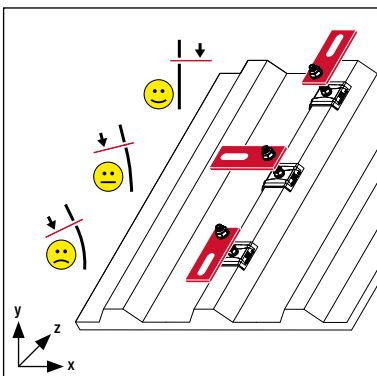
Montageablauf (Beispiel 2)



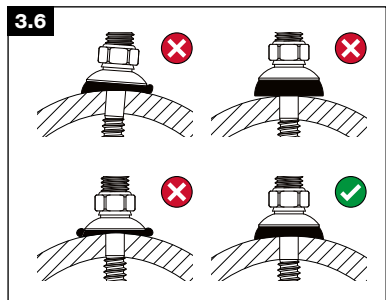
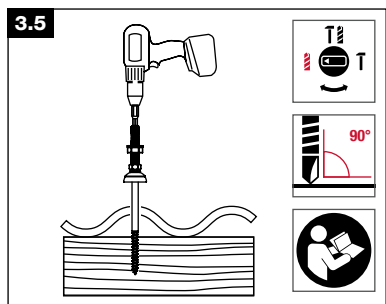
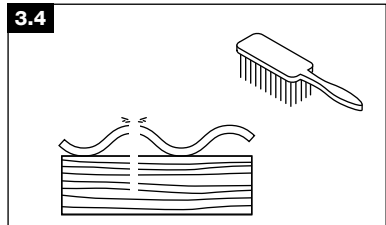
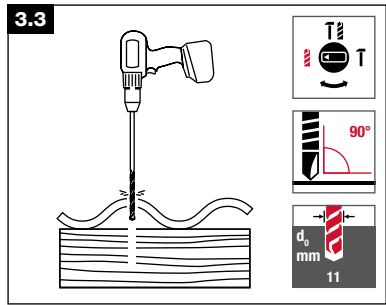
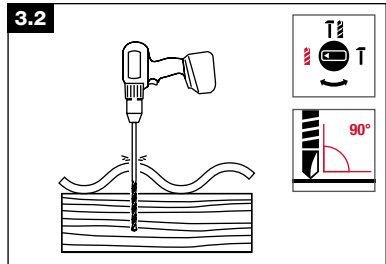
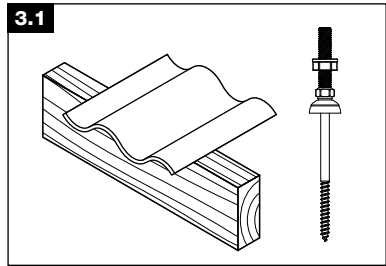
Schielenanbindung (Beispiel)



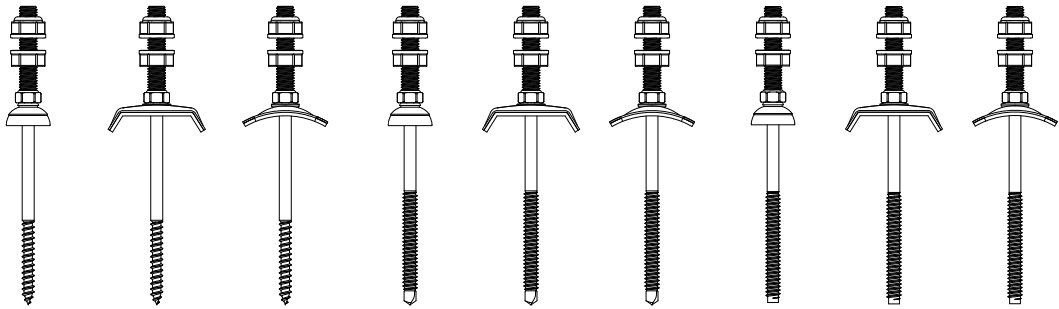
Ausrichtung SB-Flachstahl



Montageablauf (Beispiel 3)



Classification



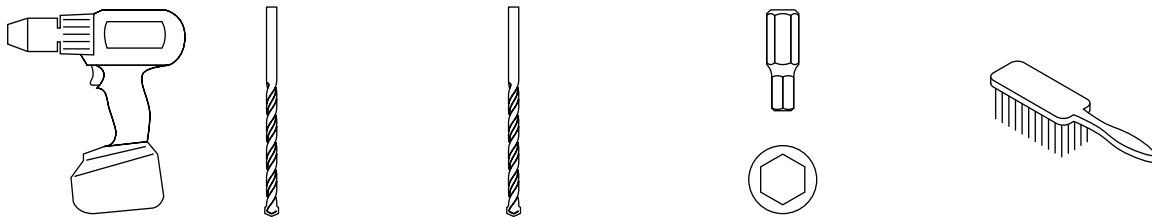
| | | | | | | | | | |
|---------------------------|---------------------------------|--|---|---------------------------------|--|---|---------------------------------|--|---|
| Fastener | JA3-SB-8.0xL JA3-SB-10.0xL | JA3-SB-8.0xL JA3-SB-10.0xL | JA3-SB-8.0xL JA3-SB-10.0xL | JT3-SB-8.0xL | JT3-SB-8.0xL | JT3-SB-8.0xL | JZ3-SB-8.0xL | JZ3-SB-8.0xL | JZ3-SB-8.0xL |
| Sealing element | Fibre cement seal FZD | Sealing washer E16 | Sealing washer E16 | Fibre cement seal FZD | Sealing washer E16 | Sealing washer E16 | Fibre cement seal FZD | Sealing washer E16 | Sealing washer E16 |
| ORKAN storm washer | - | Trapezoidal | Corrugated | - | Trapezoidal | Corrugated | - | Trapezoidal | Corrugated |
| ETA | - | 22/0762 | 22/0762 | - | 22/0762 | 22/0762 | - | 22/0762 | 22/0762 |
| t₁ | Corrugated fibre cement profile | Trapezoidal steel profile / sandwich panel | Corrugated steel profile / sandwich panel | Corrugated fibre cement profile | Trapezoidal steel profile / sandwich panel | Corrugated steel profile / sandwich panel | Corrugated fibre cement profile | Trapezoidal steel profile / sandwich panel | Corrugated steel profile / sandwich panel |
| d₁ [mm] | 11* | - | - | 11* | - | - | 11* | - | - |
| t_{II} | Timber | Timber | Timber | Steel | Steel | Steel | Steel | Steel | Steel |

*Please observe the specifications given by the manufacturer of the corrugated fibre cement profile.

Drill hole diameter

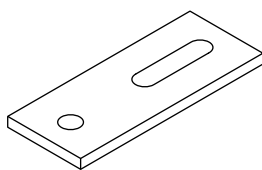
| | | | | | | | | | | | |
|----------------------------|--------------|---------------|-------------------------|-----------|-----------|----------|-------------------------|-----------|-----------|----------|------|
| Fastener | JA3-SB-8.0xL | JA3-SB-10.0xL | JT3-SB-8.0xL | | | | JZ3-SB-8.0xL | | | | |
| t_{II} | Timber | Timber | Steel (S235-EN 10025-1) | | | | Steel (S235-EN 10025-1) | | | | |
| t_{II} [mm] | ≥ 32 | ≥ 32 | 1.5 < 3.0 | 3.0 < 5.0 | 5.0 < 7.5 | 7.5 < 10 | ≥ 10 | 1.5 < 5.0 | 5.0 < 7.5 | 7.5 < 10 | ≥ 10 |
| d₀ [mm] | 5.5 | 7.0 | - | 6.8 | 7.0 | 7.2 | 7.4 | 6.8 | 7.0 | 7.2 | 7.4 |

Installation tools



| | | | | |
|----------------------|-----------------------|---------------------------|----------------|------------|
| Cordless screwdriver | d ₀ 11 mm* | d ₀ 6.8–7.4 mm | Form C 6.3 SW5 | Hand brush |
|----------------------|-----------------------|---------------------------|----------------|------------|

Accessories



SB flat steel
Article number 3110001000

Notes



Assembly instruction
rail manufacturer

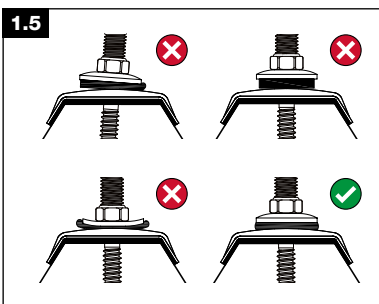
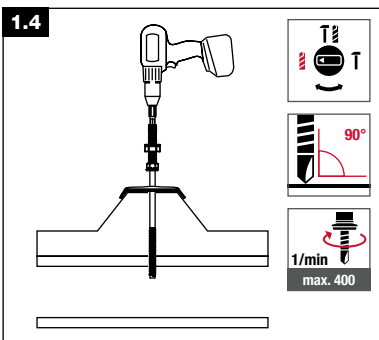
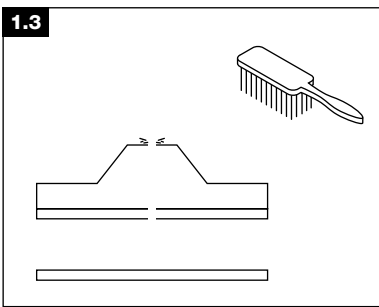
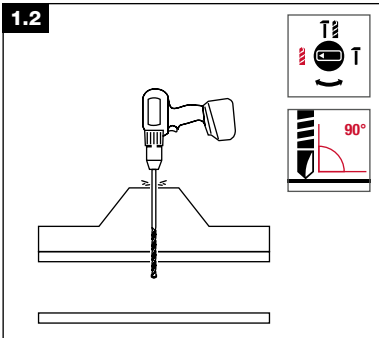
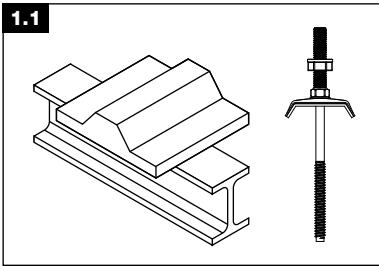


ETA-22/0762

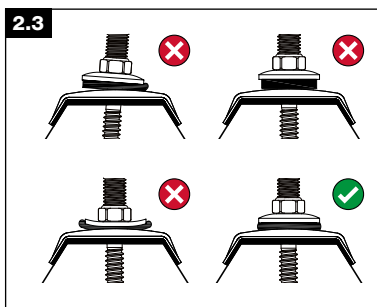
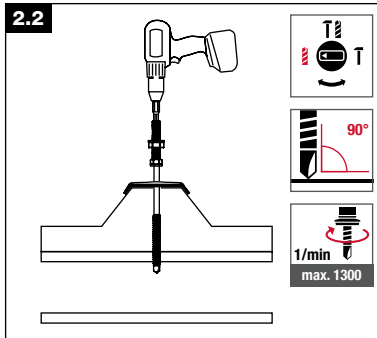
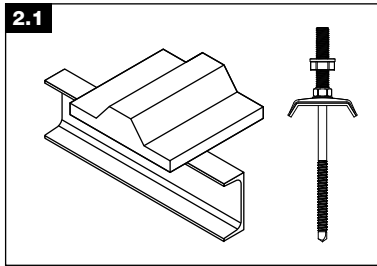


Edge distances and spacings
(valid rules of technology)

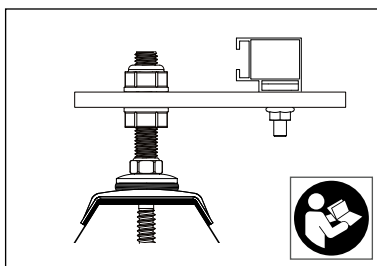
Installation process (example 1)



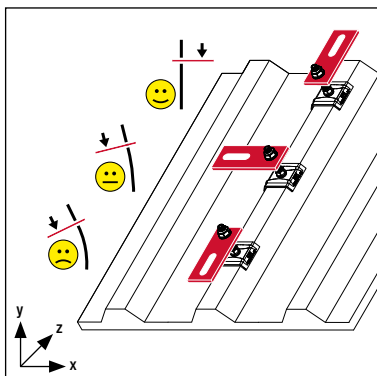
Installation process (example 2)



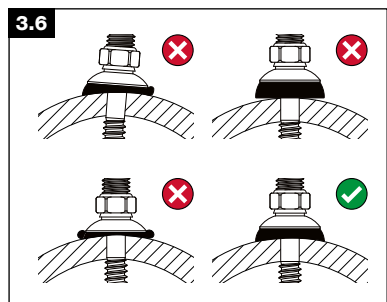
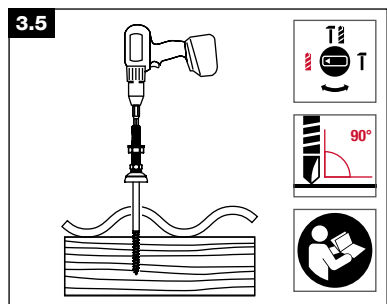
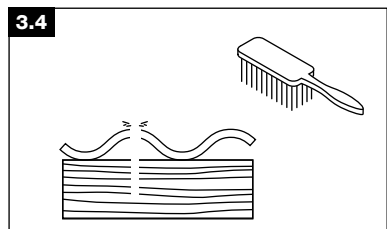
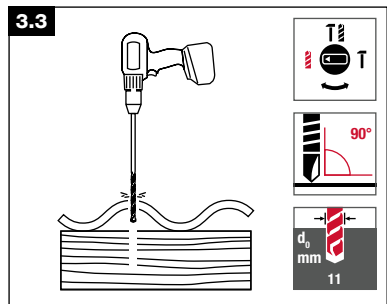
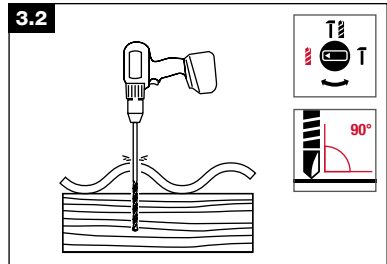
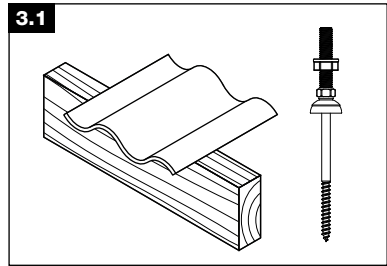
Rail connection (example)



Alignment SB flat steel



Installation process (example 3)



EJOT®

W&Z 
Befestigungssysteme
INHABER OLIVER ZEMBSCH

W&Z Befestigungssysteme

Inh. Oliver Zembsch

Landwehrstraße 44

97421 Schweinfurt

Tel. +49 9721 47610-0

Fax +49 9721 47610-25

info@wz-befestigungssysteme.de

www.wz-befestigungssysteme.de

shop.wz-befestigungssysteme.de

Bringing it together.